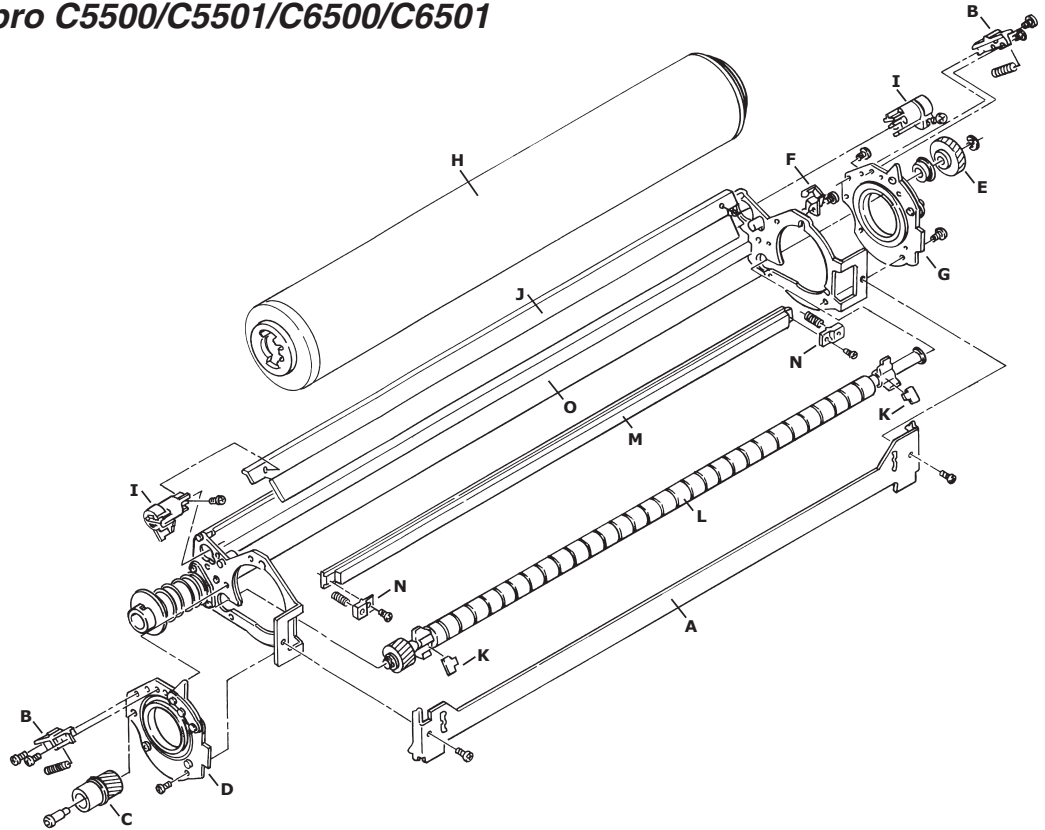


## Rebuild Instructions

Konica Minolta bizhub pro C5500/C5501/C6500/C6501  
Drum Unit DU-102C

- (A) Side Plate
- (B) Spring / Bracket (F&R)**
- (C) Drive Gear
- (D) Rear Plate
- (E) Gear
- (F) Ground Strap
- (G) Front Plate
- (H) OPC Drum**
- (I) Bracket (F&R)
- (J) Cleaning Blade**
- (K) Seal (F&R)**
- (L) Brush
- (M) Lubricant Bar**
- (N) Bracket/Spring (F&R)
- (O) Drum Unit Frame

Components in bold text  
included in rebuild kit.



### Pre-Disassembly

**NOTE:** Do not remove any black screws at any point during this process.  
Save all parts and hardware removed unless instructed to discard.

### Disassembly

1. Remove side plate (A)
2. Remove F&R spring/bracket (B). Discard springs.
3. Remove drive gear (C).
4. Remove gear (E).
5. Remove ground strap (F)
6. Remove F&R plate (D&G)
7. Remove OPC Drum (H). Discard OPC Drum.
8. Remove F&R bracket (I)
9. Remove cleaning blade (J). Discard cleaning blade.
10. Remove F&R seal (K). Discard F&R seal.
11. Remove brush (L).
12. Remove lubricant bar (M) and F&R bracket/spring (N)
13. Remove F&R bracket/spring (N) from lubricant bar (M). Discard lubricant bar.

Clean drum unit frame (O) and all individual drum unit components that will be reused, as needed/required before assembly.

### Assembly

Assemble drum unit in reverse order.