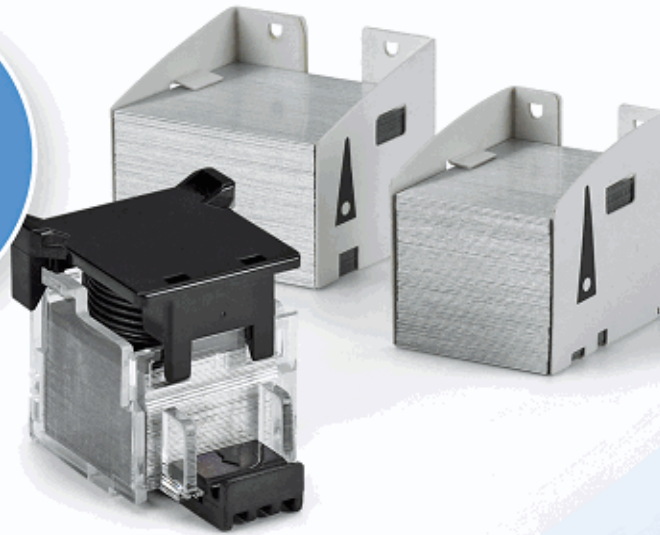


STAPLE CARTRIDGE

Cross-Reference Guide

FOR
COPIERS
& MFPS

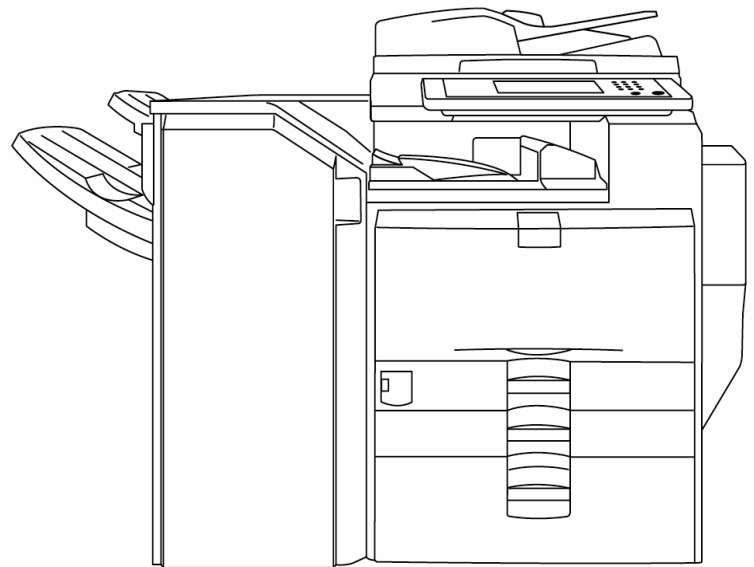


North America 2018

Swingline®

IMPORTANT NOTE: In order to purchase the correct staples for your machine, it is important that you reference the **FINISHER** Model Identification Number. **DO NOT purchase staples based on the copier model number alone.**

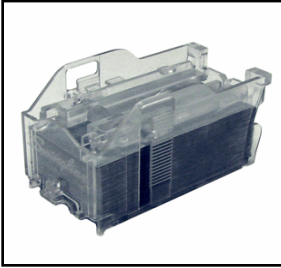
To locate the FINISHER Model Identification Number, first identify the finisher unit in relation to the copier unit. In most instances you will need to separate the finisher unit from the copier unit to access the model information. The location of the FINISHER Model Identification Number will vary depending on the model manufacturer.



Finisher Unit

Copier/MFP Unit

Samsung



Katun Part Number

37664

Type	Size (mm)
P1	61.5x33x34

Your Price:

Finisher	Model	OEM Part Number
N/A		008R12941
	ML 5512	✓
	ML 6512	✓
	SCX 6345	✓
	SCX 6545	✓
SCX-FIN10 S		SCX-STP000
	CLX 9201	✓
	CLX 9251	✓
	CLX 9301	✓
	ML 5512	✓
	ML 6512	✓
	MULTIPRESS 6555	✓
	MULTIPRESS CLX 8540	✓
	MULTIPRESS CLX 9201	✓
	MULTIPRESS CLX 9251	✓
	MULTIPRESS CLX 9301	✓
	MULTIPRESS SCX 6545	✓
	MULTIPRESS SCX 6555	✓
	SCX 6345	✓