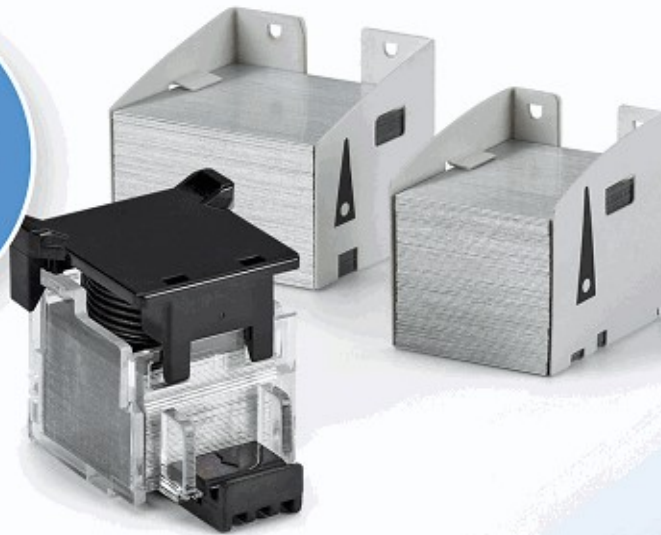


# STAPLE CARTRIDGE

*Cross-Reference Guide*

FOR  
COPIERS  
& MFPS

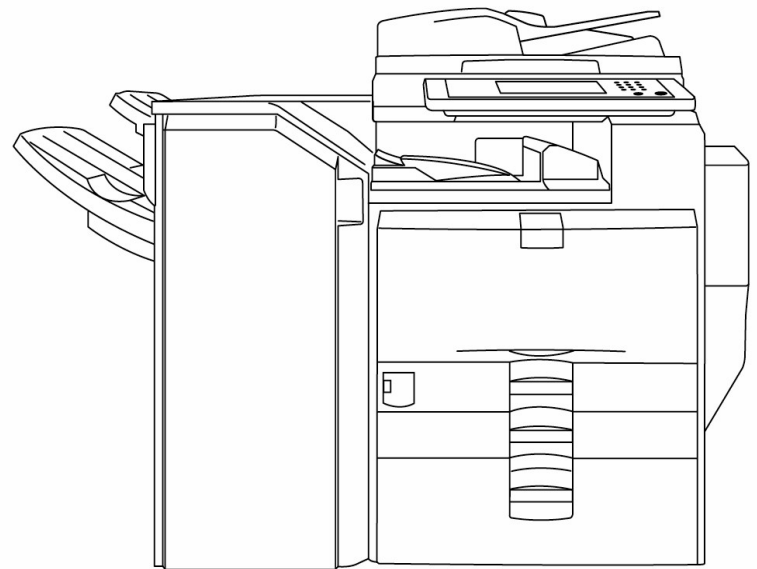


North America 2022

*Swingline*®

**IMPORTANT NOTE:** In order to purchase the correct staples for your machine, it is important that you reference the **FINISHER** Model Identification Number. **DO NOT purchase staples based on the copier model number alone.**

To locate the FINISHER Model Identification Number, first identify the finisher unit in relation to the copier unit. In most instances you will need to separate the finisher unit from the copier unit to access the model information. The location of the FINISHER Model Identification Number will vary depending on the model manufacturer.



Finisher Unit

Copier/MFP Unit

**Hewlett Packard**



| <u>Finisher</u> | <u>Model</u> | <u>OEM Part Number</u> |
|-----------------|--------------|------------------------|
| N/A             |              | C3772A                 |
|                 | LJ 8000      | ✓                      |
|                 | LJ 8100      | ✓                      |
|                 | LJ 8150      | ✓                      |
|                 | MOPIER 240   | ✓                      |
|                 | MOPIER 320   | ✓                      |

**Katun Part Number**

**36749**

| <u>Type</u> | <u>Size (mm)</u> |
|-------------|------------------|
| D2          | 26x25x32         |

**Your Price:**