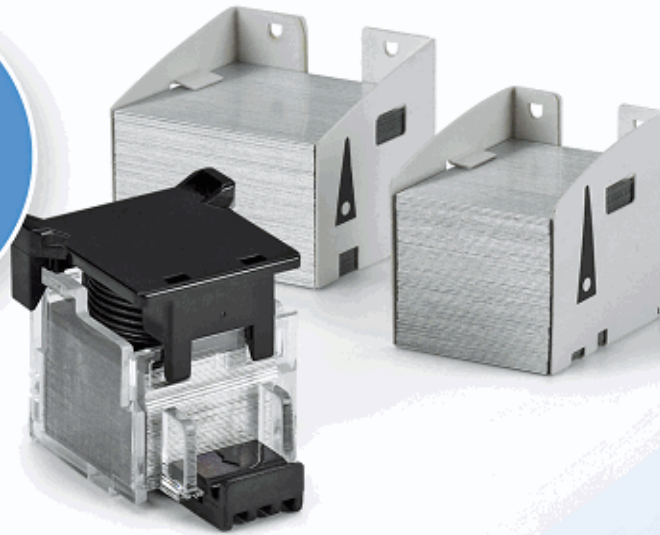


STAPLE CARTRIDGE

Cross-Reference Guide

FOR
COPIERS
& MFPS

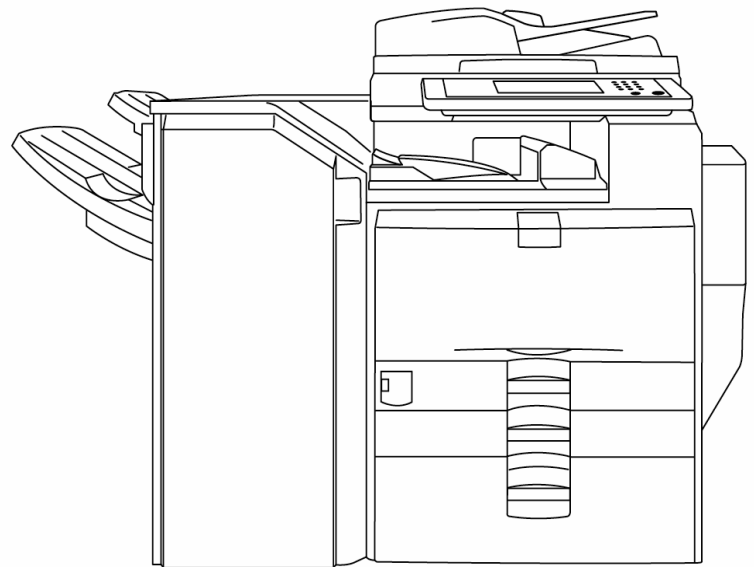


North America 2020

Swingline®

IMPORTANT NOTE: In order to purchase the correct staples for your machine, it is important that you reference the **FINISHER** Model Identification Number. **DO NOT purchase staples based on the copier model number alone.**

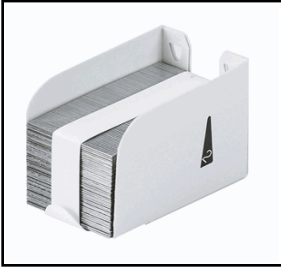
To locate the FINISHER Model Identification Number, first identify the finisher unit in relation to the copier unit. In most instances you will need to separate the finisher unit from the copier unit to access the model information. The location of the FINISHER Model Identification Number will vary depending on the model manufacturer.



Finisher Unit

Copier/MFP Unit

Lexmark



Katun Part Number

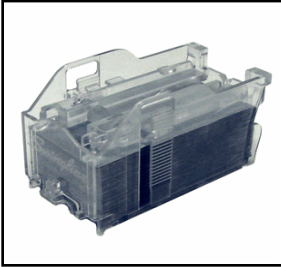
36751

| Type | Size (mm) |
|------|-----------|
| L1 | 35x21x25 |

Your Price:

| Finisher | Model | OEM Part Number |
|-------------------|---------------|-----------------|
| C 910 FINISHER | | 11K3188 |
| | LEXMARK C 912 | ✓ |
| C 912 FINISHER | | 11K3188 |
| | LEXMARK C 912 | ✓ |
| T 620 FINISHER | | 11K3188 |
| | LEXMARK T 630 | ✓ |
| | LEXMARK T 632 | ✓ |
| | LEXMARK T 634 | ✓ |
| T 630 FINISHER | | 11K3188 |
| | LEXMARK T 630 | ✓ |
| | LEXMARK T 632 | ✓ |
| | LEXMARK T 634 | ✓ |

Lexmark



Katun Part Number

37664

| Type | Size (mm) |
|------|------------|
| P1 | 61.5x33x34 |

Your Price:

| Finisher | Model | OEM Part Number |
|---------------------------------------|---------------|-----------------|
| | | 25A0013 |
| LEXMARK 3500 SHEET 3-HOLE I | LEXMARK C 950 | ✓ |
| | LEXMARK X 950 | ✓ |
| | LEXMARK X 952 | ✓ |
| | LEXMARK X 954 | ✓ |
| | | 25A0013 |
| LEXMARK 3500 SHEET 3-HOLE II | LEXMARK C 935 | ✓ |
| | LEXMARK X 940 | ✓ |
| | LEXMARK X 945 | ✓ |
| | | 25A0013 |
| LEXMARK 3-HOLE | LEXMARK W 840 | ✓ |
| | LEXMARK W 850 | ✓ |
| | LEXMARK X 850 | ✓ |
| | LEXMARK X 852 | ✓ |
| | LEXMARK X 854 | ✓ |
| | LEXMARK X 860 | ✓ |
| | LEXMARK X 862 | ✓ |
| | LEXMARK X 864 | ✓ |
| | | 25A0013 |
| LEXMARK 500 SHEET I | LEXMARK C 792 | ✓ |
| | LEXMARK X 792 | ✓ |
| | | 25A0013 |
| LEXMARK 500 SHEET II | LEXMARK C 792 | ✓ |
| | LEXMARK X 792 | ✓ |
| | | 25A0013 |
| STAPLE SMART II | LEXMARK T 650 | ✓ |
| | LEXMARK T 652 | ✓ |
| | LEXMARK T 654 | ✓ |
| | LEXMARK T 656 | ✓ |
| | LEXMARK X 651 | ✓ |
| | LEXMARK X 652 | ✓ |
| | LEXMARK X 654 | ✓ |
| | LEXMARK X 656 | ✓ |
| | LEXMARK X 658 | ✓ |