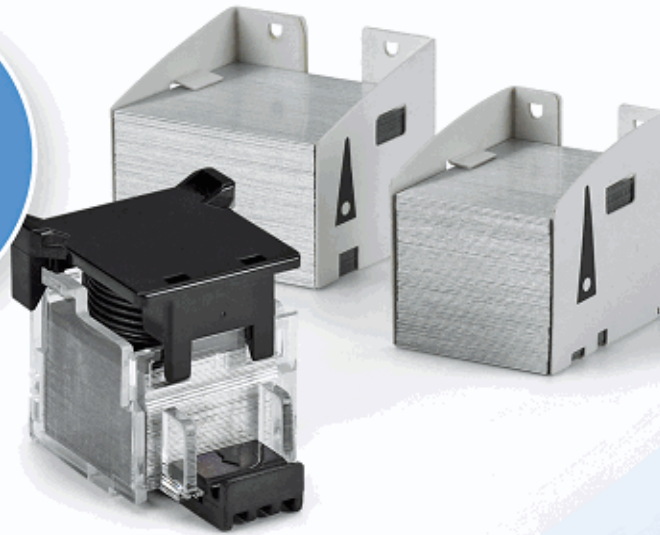


# STAPLE CARTRIDGE

*Cross-Reference Guide*

FOR  
COPIERS  
& MFPS

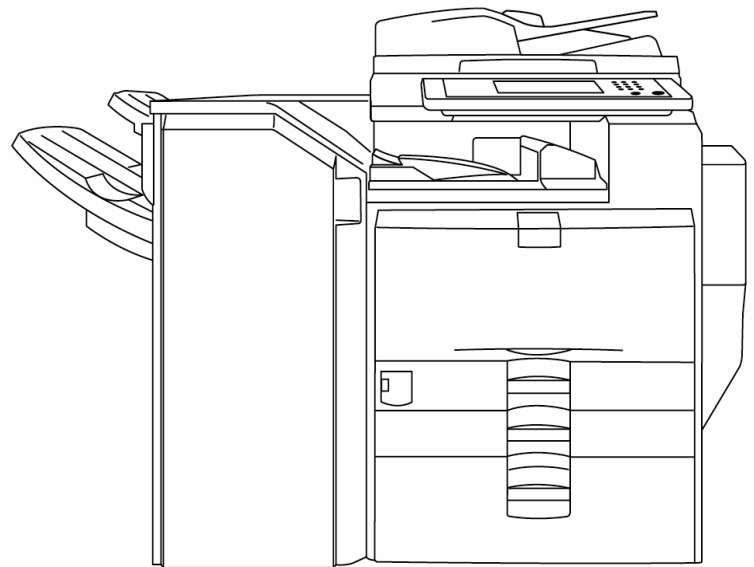


North America 2020

*Swingline*®

**IMPORTANT NOTE:** In order to purchase the correct staples for your machine, it is important that you reference the **FINISHER** Model Identification Number. **DO NOT purchase staples based on the copier model number alone.**

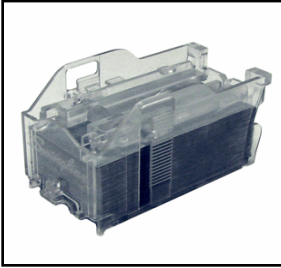
To locate the FINISHER Model Identification Number, first identify the finisher unit in relation to the copier unit. In most instances you will need to separate the finisher unit from the copier unit to access the model information. The location of the FINISHER Model Identification Number will vary depending on the model manufacturer.



Finisher Unit

Copier/MFP Unit

## Samsung



### Katun Part Number

**37664**

Type	Size (mm)
P1	61.5x33x34

Your Price:

Finisher	Model	OEM Part Number
N/A		008R12941
	ML 5512	✓
	ML 6512	✓
	SCX 6345	✓
	SCX 6545	✓
SCX-FIN10 S		SCX-STP000
	CLX 9201	✓
	CLX 9251	✓
	CLX 9301	✓
	ML 5512	✓
	ML 6512	✓
	MULTIXPRESS 6555	✓
	MULTIXPRESS CLX 8540	✓
	MULTIXPRESS CLX 9201	✓
	MULTIXPRESS CLX 9251	✓
	MULTIXPRESS CLX 9301	✓
	MULTIXPRESS SCX 6545	✓
	MULTIXPRESS SCX 6555	✓
	SCX 6345	✓