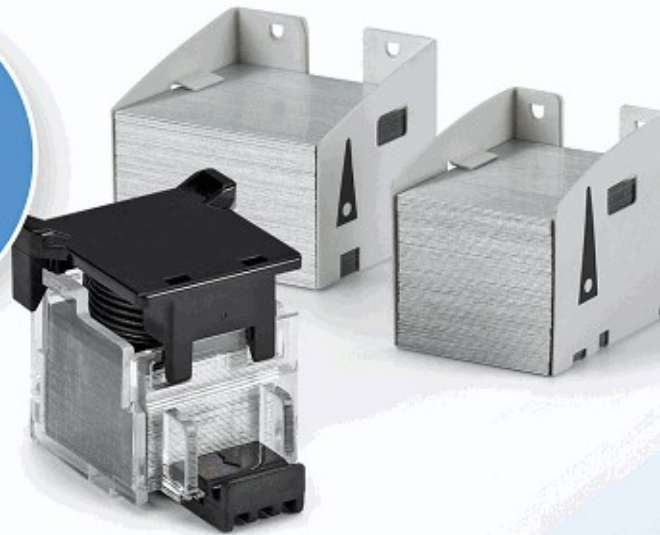


STAPLE CARTRIDGE

Cross-Reference Guide

FOR
COPIERS
& MFPS

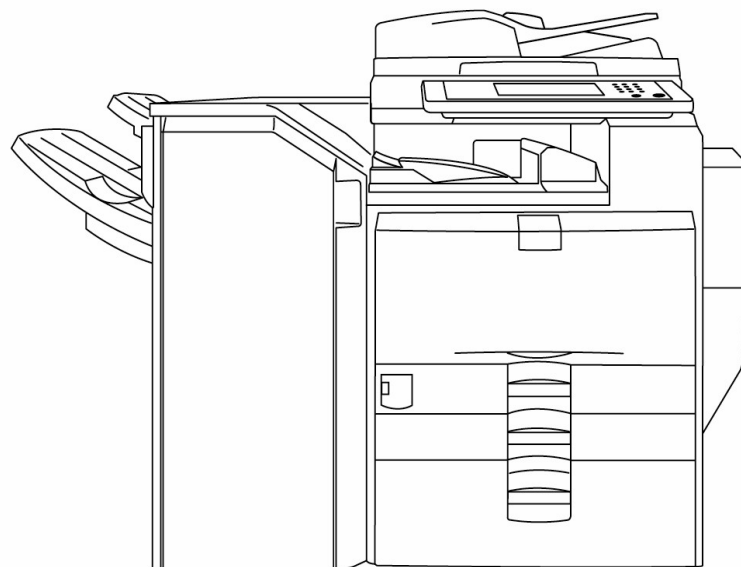


Europe 2022

Swingline®

IMPORTANT NOTE: In order to purchase the correct staples for your machine, it is important that you reference the **FINISHER** Model Identification Number. **DO NOT purchase staples based on the copier model number alone.**

To locate the FINISHER Model Identification Number, first identify the finisher unit in relation to the copier unit. In most instances you will need to separate the finisher unit from the copier unit to access the model information. The location of the FINISHER Model Identification Number will vary depending on the model manufacturer.



Finisher Unit

Copier/MFP Unit

Panasonic



Katun Part Number

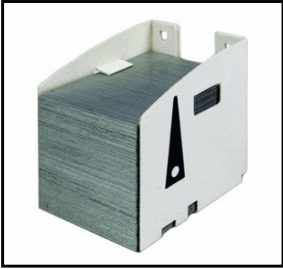
36749

Type	Size (mm)
D2	26x25x32

Your Price:

Finisher	Model	OEM Part Number
F- 320		FQ-SS50
	FP D250	✓
	FP D350	✓
	FP D355	✓
F- 365		FQ-SS50
	FP D455	✓
	FP D605	✓
FS- 605		FQ-SS50
	DP 4510	✓
	DP 6010	✓
S- 610		FQ-SS50
	FP 1680	✓
	FP 1780	✓
	FP 2080	✓
	FP 2680	✓
	FP 3380	✓
	FP 7117	✓
	FP 7121	✓
	FP 7127	✓
FP 7133	✓	
S- 615 S		FQ-SS50
	FP 7718	✓
	FP 7722	✓
	FP 7728	✓

Panasonic



Katun Part Number

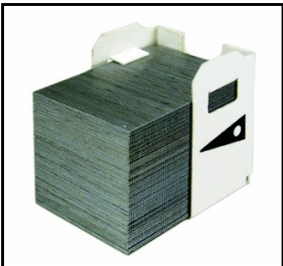
37413

Type	Size (mm)
E1	35x28x35

Your Price:

Finisher	Model	OEM Part Number	
F- 365		FQ-SS66	
	FP D455		✓
	FP D605		✓
FS- 600		DQ-SS66	FQ-SS66
	DP 4510	✓	✓
	DP 6010	✓	✓
FS- 605		DQ-SS66	FQ-SS66
	DP 4510	✓	✓
	DP 6010	✓	✓
FS- 700		FQ-SS66	
	DP 6000		✓
	DP 7000		✓
S- 660		FQ-SS66	
	FP 7818		✓
	FP 7824		✓
	FP 7830		✓
	FP 7835		✓
	FP 7845		✓
FP 7850		✓	

Panasonic



Katun Part Number

37416

Type	Size (mm)
J1	35x28x33

Your Price:

Finisher	Model	OEM Part Number	
F- 320		FQ-SS35	
	FP D250		✓
	FP D350		✓
	FP D355		✓
FS- 355		FQ-SS35	
	DP 3510		✓